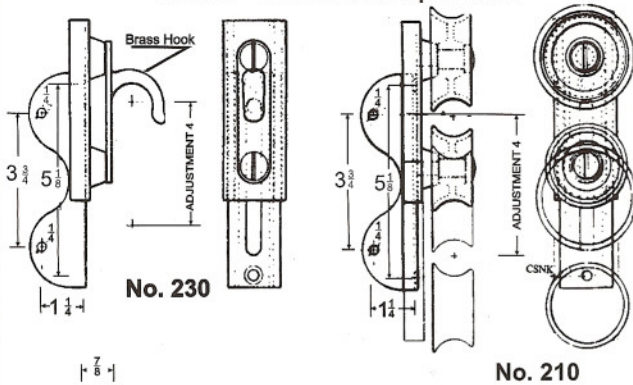


**TOP FIXTURES FOR  
No. 1 ROLLING LADDER  
No. 210 - Roll Type Top Fixture  
No. 230 - Hook Slide Top Fixture**



**No. 230**

**No. 210**



SECTION A-A  
PRESSED STEEL FRAME

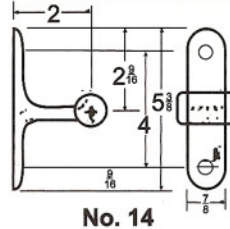
ALL WHEELS ARE  
DIE CASTINGS

**PUTNAM  
ROLLING LADDERS**

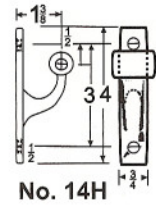
**BRACKETS FOR TRACK**

No. 1 Track	
Roll Top	Hook Slide
No. 210	No. 230
No. 14	No. 14 H
No. 27	No. 27 H
No. 29	No. 29 H

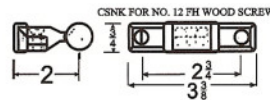
Vertical Mount on Uprights  
Horizontal Mount  
Top of Shelving Mount



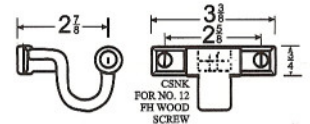
**No. 14**



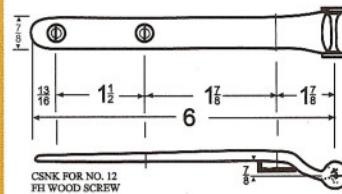
**No. 14H**



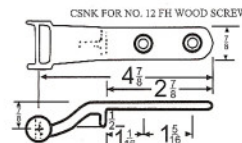
**No. 27**



**No. 27H**



**No. 29GR**

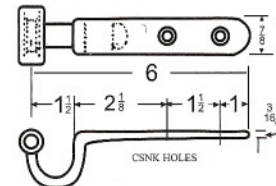


**No. 29**

**PUTNAM  
ROLLING LADDERS**

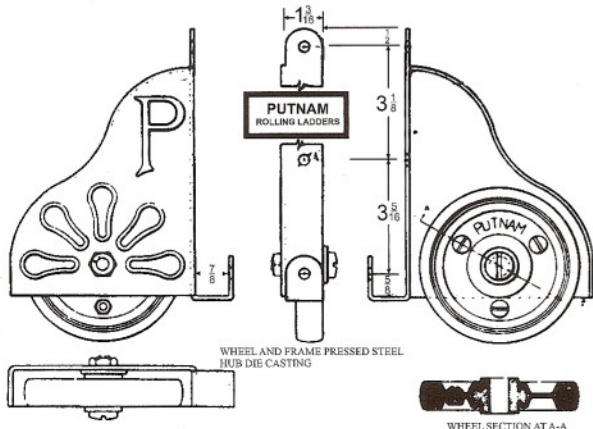


SHOWING APPLICATION OF  
END STOP TO ANY STYLE  
BRACKET - RIGHT OR LEFT

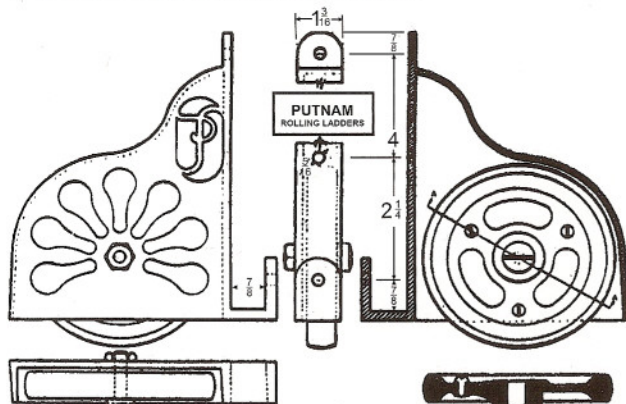


**No. 29H**

**BOTTOM FIXTURES FOR NO. 1 ROLLING LADDER**



**No. 1 Bottom Fixture No. 270 Regular**



**No. 1 Bottom Fixture No. 270 Old Style**

**TO ORDER OR TO OBTAIN A QUOTE:**

The No. 1 Oak Rolling Ladder is custom made.

To order or obtain a quote, please indicate:

1. Height (measure from floor vertically to center of track 7" clearance above the track is required) We suggest you align your track with a shelf, one or two shelves down from where you have to reach;
2. Length of track desired;
3. Type of bracket desired (vertical, horizontal, or top of shelf mount)
4. Old style or regular bottom fixtures;
5. Type of wood and finish desired on ladder, and;
6. Type of finish for top and bottom fixtures on ladder, track and brackets.

If shelving or lay-out is unusual, please provide a rough sketch.

SINCE 1905

Putnam Rolling Ladder Co., Inc.

32 HOWARD STREET • NEW YORK, N.Y. 10013  
(212) 226-5147 • FAX (212) 941-1836  
Web site: www.putnamrollingladder.com  
E-mail: Putnam1905@aol.com